



# NS Series

45 – 60 HP



# NS SERIES

**EVERYTHING YOU NEED TO DO  
EVERYTHING YOU NEED.**

Looking for the perfect combination of power, comfort and value? Meet the NS Series. Designed for value-conscious customers who require a powerful tractor and larger platform, the NS Series can tackle your toughest tasks with ease.

**Cab & ROPS Models**

**Synchro Shuttle or HST**

**Large, Open Platform Design**

**KIOTI ECO Engine Technology**

**Hydraulic Independent PTO**

**Cruise Control (HST Models)**



### Hydraulic Independent PTO

The standard rear PTO is easily engaged by the simple turn of a knob. A safety interlock prevents the engine from starting when the PTO switch is left on. All models come standard with a selectable manual or automatic PTO option. When the Auto PTO is engaged, the PTO will automatically shut off when the 3-point control is raised, eliminating exposure to the running implements.

### Single Lever Joystick

Front end loader work is made easier by the use of a single lever joystick. The lever returns to neutral when released. A float position allows the bucket free flotation over the ground surface.

### Eco-Friendly Diesel Engine

The Common Rail Diesel Engine (CRDI) improves fuel efficiency while reducing noise levels. With this eco-friendly Tier 4 engine, the NS Series offers the operator a quiet work environment with powerful performance.



# THE FUEL EFFICIENT AND RUGGED KIOTI NS SERIES



### Fully-Featured HST Models

Featuring a performance proven, heavy duty HST drive, HST models deliver power smoothly and efficiently. The three range transmission (Hi/Mid/Low) with twin pedal operation makes your job easier, smoother and safer.



### Projection Head and Working Lamp

With LED projection head and working lamps, the operator will experience safer and easier operation in low light conditions.

### 3-Point Hitch with Telescopic Lower Links & Stabilizers

Standard telescopic lower link ends and stabilizers allow the operator to easily connect & adjust a wide variety of 3-point implements. The standard rear 3-point control lever easily raises and lowers the lift arms from outside the tractor when attaching implements.



### Ergonomic Joystick Lever

An ergonomically designed joystick lever for front loader operation is standard on NS Series tractors.



### Deluxe Suspension Seat

Ergonomically designed, adjustable suspension seat allows the operator to ride in comfort no matter what the task may be.



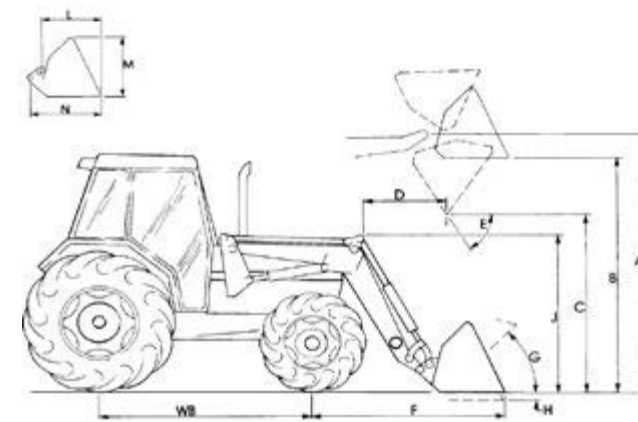
### HST Cruise Control

HST Cruise system enables the tractor to maintain a steady speed as set by the operator.



### Front End Loader

The KIOTI KL5810 front end loader is specifically designed for the NS Series tractors, providing efficient performance with single lever joystick control. The KIOTI loader, with a built-in parking stand, is designed to be quickly and easily attached and detached. KL Series loaders utilize the tractor's hydraulic system, feature single-lever control with float and come with a bucket level indicator.



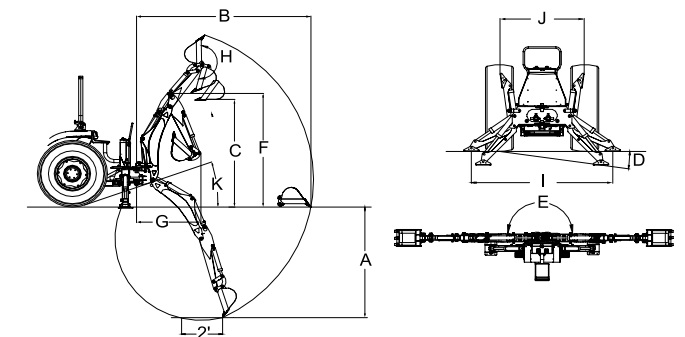
### Loader Specifications

MODEL	KL5810
A Maximum Lift Height to Pivot Pin	106.3 in. (2,700 mm)
B Clearance w/ Bucket Level	100.9 in. (2,562 mm)
C Clearance w/ Bucket Dumped	79.5 in. (2,020 mm)
D Reach at Maximum Height	21.7 in. (550 mm)
E Maximum Dump Angle	67°
F Reach w/ Bucket on Ground	74.4 in. (1,890 mm)
G Maximum Rollback Angle	32°
H Digging Depth Below Grade	10.2 in. (260 mm)
J Overall Height in Carry Position	49.8 in. (1,265 mm)
L Bucket Depth (Inner Shell)	26.4 in. (670 mm)
M Bucket Height	22.1 in. (560 mm)
N Bucket Length (Pivot Pin)	26.4 in. (670 mm)
Lift Capacity to Full Height at Pivot Pins	2,621 lbs. (1,189 kg)
Bucket Rollback Force at Ground Line	3,880 lbs. (1,760 kg)
Breakout Force at Pivot Pins	3,896 lbs. (1,767 kg)
Relief Valve Setting	2,683 psi
Rated Flow	9.6 gpm (36.3 L/min)
Bucket Sizes Available	72 in. (1,829 mm)
Bucket Capacity (Heaped)	14.8 ft <sup>3</sup> (0.42 m <sup>3</sup> )

\* Specifications and design are subject to change without notice.

### Backhoe

The KIOTI KB2485 backhoe lets you trench up to 94.4 inches deep with a bucket dig force up to 3,748 pounds. The KB2485 backhoe feature subframe mounting, responsive two-lever controls with exceptional feathering, hydraulic stabilizers, transport lock and a variety of standard and heavy-duty buckets.



### Backhoe Specifications

MODEL	KB2485
A Digging Depth (Two Foot Flat Bottom)	94.4 in. (2,400 mm)
B Reach from Center Line of Swing Pivot	136.1 in. (3,460 mm)
C Loading Height (Bucket at 60°)	80.3 in. (2,040 mm)
D Maximum Leveling Angle	10°
E Swing Arc	180°
F Transport Height (Maximum)	92.9 in. (2,360 mm)
G Transport Overhang	50.4 in. (1,280 mm)
H Bucket Rotation	180°
I Stabilizer Spread (Down Position)	68.7 in. (1,745 mm)
J Stabilizer Spread (Up Position)	46.4 in. (1,180 mm)
K Angle of Departure	21°
Shipping Weight (Without Bucket)	1,102 lbs. (500 kg)
Bucket Digging Force	3,748 lbs. (1,700 kg)
Dipperstick Digging Force	2,205 lbs. (1,000 kg)
Operating Pressure	2,466 psi (170 bar)

### Cylinders

Cylinder	Bore DIA	Retracted Length	Stroke	Rod DIA
Boom	2.75	25.04	15.20	1.57
Bucket	2.36	24.8	15.55	1.38
Dipperstick	2.75	27.87	19.88	1.57
Swing	2.36	15.67	8.78	1.38
Stabilizer	2.36	17.55	10.31	1.38

### Buckets

Bucket	Teeth Quantity	Struck Capacity	Heaped Capacity	Shipping Weight
12" Bucket	3	1.01 cu. ft.	1.24 cu. ft.	56 lbs.
18" Bucket	4	1.56 cu. ft.	2.02 cu. ft.	70 lbs.
24" Bucket	5	2.11 cu. ft.	2.82 cu. ft.	94 lbs.
36" Bucket	6	2.78 cu. ft.	4.00 cu. ft.	114 lbs.

\* Specifications and design are subject to change without notice.



ISO 9001  
NO.954596



ISO 14001  
NO.771475



OHSAS 18001  
NO.K033008

## SPECIFICATIONS

MODEL		NS4710	NS4710H	NS5310H	NS6010	NS6010H
<b>ENGINE</b>						
Model		3HT-S4TM45A	3HT-S4TH45A	3HT-S4TH50A	3HT-S4TM58A	3HT-S4TH58A
Type		3 Cyl., In-line Vertical, Water-cooled 4-cycle Turbo Diesel, CRDI				
Engine Gross	hp (kW)	44.9( 33.5)	44.9 (33.5)	50.3 (37.5)	57.7 (43.0)	57.7 (43.0)
PTO	hp (kW)	36.6 (27.3)	36.3 (27.1)	41.8 (31.2)	48.3 (36.0)	47.9 (35.7)
Displacement	cu. in. (cc)	111.4 (1,826)				
Rated Revolution	rpm	2,600				
Fuel Tank Capacity	US gal. (ℓ)	13.2 (50)				
<b>DRIVE TRAIN</b>						
Clutch		Dry type single stage		None	Dry type single stage	None
Transmission		Synchro Shuttle		HST	Synchro Shuttle	HST
Speeds		12×12		3 Range	12×12	3 Range
Differential Lock				Rear Standard		
Brake				Wet disc type		
PTO Type				Independent		
Rear PTO (Standard)	rpm			540		
Mid PTO (Optional)	rpm			2,000		
4WD Type				Electric/Hydraulic		
<b>HYDRAULIC SYSTEM</b>						
Pump				Gear		
Pump Capacity (Max. Flow Rate)	gpm (L/min)			16.48 (62.4)		
3-Point Hitch			Category I		Category II	
Maximum Lifting Capacity (24" aft. of hitch)	lbs. (kg)			2,493 (1,131)		
Hydraulic Lift Control System				Position with Draft Control		
Number of Remote Valves				1		
Steering				Power Steering		
<b>TIRE SIZE</b>						
Front AG. (Turf, Industrial)				8-16 (29×12.5-15, 10×16.5)		
Rear AG. (Turf, Industrial)				13.6-24 (21.5×16.1, 14.9×24)		
<b>TRAVELING SPEEDS</b>						
Forward	mph (km/h)	0.9~16.7 (1.5~26.8)	0~17.5 (0~28.1)	0~17.5 (0~28.1)	0.9~16.7 (1.5~26.8)	0~17.5 (0~28.1)
Reverse	mph (km/h)	0.8~14.8 (1.3~23.8)	0~12.2 (0~19.7)	0~12.2 (0~19.7)	0.8~14.8 (1.3~23.8)	0~12.2 (0~19.7)
<b>DIMENSIONS</b>						
Overall Length (Includes 3-pt Hitch)	in. (mm)			136.4 (3,465)		
Overall Width (Minimum Tread)	in. (mm)			67.1 (1,705)		
Overall height (with ROPS)	in. (mm)			98.4 (2,500) w/o Beacon		
Wheelbase	in. (mm)			75.5 (1,918)		
Min. Ground Clearance	in. (mm)			13.4 (340)		
Tread	Front (AG.)	in. (mm)		51.1 (1,297)		
	Rear (AG.)	in. (mm)		54.3 (1,380)		
Min. Turning Radius (with brake)	ft. (m)			10.94 (3.336)		
Weight with AG. Tires	lb. (kg)			4,027 (1,827)		

\* NOTE : Specifications and design are subject to change without notice.

### STANDARD EQUIPMENT

- Power Steering
- Rear PTO
- Single Remote Hydraulic Valve
- Wet Multi Disc Brakes
- Joystick Valve
- Cruise Control (HST Only)

- Drawbar
- Headlights
- Parking Brake
- PTO cover
- Suspension Seat

### OPTIONAL EQUIPMENT

- Sun Canopy
- Beacon Light
- Rear Working light
- Front Weights
- MID PTO
- HST Linked Pedal (HST Only)
- Clevis Type Drawbar
- Rear View Mirror (1ea)
- Second Remote Hydraulic Valve (Non-Detent)
- Second Remote Hydraulic Valve (Detent)
- Fuel Heater Kit

### ATTACHMENTS

- Front End Loader
- Backhoe
- Contact your local KIOTI dealer for available implements.



**KIOTI Tractor Division**  
DAEDONG - USA, INC.  
6300 KIOTI Drive, Wendell, NC 27591 USA  
Toll free 877-GO-KIOTI • Fax 919-374-5001  
Web [www.KIOTI.com](http://www.KIOTI.com)

